



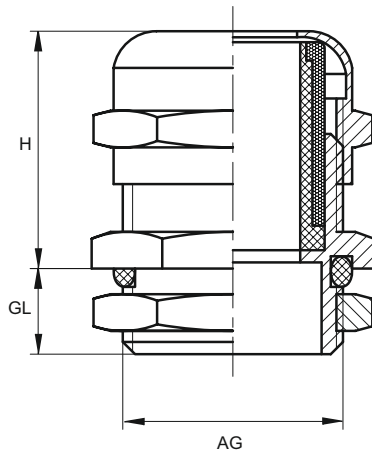
Cable glands MPG

material: nickel plated brass + NBR

IP protection: IP68

work temp.: -40°C +100°C

tolerance: ±5%



TYPE	THREAD	DIMENSIONS [mm]			CABLE EXTERNAL DIAMETER [mm]	FOR SPANNER [mm]
		GL	AG	H		
MPG-7	PG-7	6,5	12,5	17,0	3-6,5	14/15
MPG-9	PG-9	8,0	15,2	19,0	4-8	17/18
MPG-11	PG-11	8,0	18,6	21,0	5-10	20/21
MPG-13,5	PG-13,5	8,0	20,4	22,0	6-12	22/23
MPG-16	PG-16	8,5	22,5	23,0	10-14	24/25
MPG-21	PG-21	9,0	28,3	27,0	13-18	30
MPG-29	PG-29	10,0	37,0	31,0	18-25	40
MPG-36	PG-36	11,0	47,0	37,0	25-33	50
MPG-42	PG-42	13,0	54,0	37,0	32-38	57
MPG-48	PG-48	14,0	59,3	38,0	37-44	64

CE RoHS IP68
Compliant