



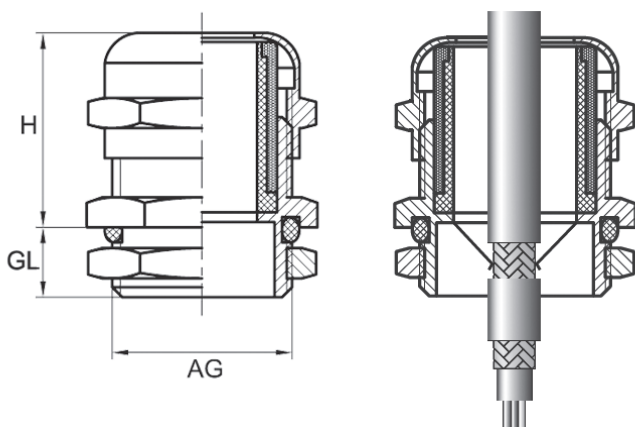
Nickle plated cable glands MPG EMC

material: nickel plated brass + NBR

IP protection: IP68

work temp.: -40°C do +100°C

tolerance: ±5%



| TYPE | THREAD | DIMENSIONS [mm] | | | CABLE EXTERNAL DIAMETER [mm] | FOR SPANNER [mm] |
|-------------|---------|-----------------|------|------|------------------------------|------------------|
| | | GL | AG | H | | |
| MPG-7EMC | PG-7 | 6,5 | 12,5 | 17,0 | 3-6,5 | 14/15 |
| MPG-9EMC | PG-9 | 8,0 | 15,2 | 19,0 | 4-8 | 17/18 |
| MPG-11EMC | PG-11 | 8,0 | 18,6 | 21,0 | 5-10 | 20/21 |
| MPG-13,5EMC | PG-13,5 | 8,0 | 20,4 | 22,0 | 6-12 | 22/23 |
| MPG-16EMC | PG-16 | 8,5 | 22,5 | 23,0 | 10-14 | 24/25 |
| MPG-21EMC | PG-21 | 9,0 | 28,3 | 27,0 | 13-18 | 30 |
| MPG-29EMC | PG-29 | 10,0 | 37,0 | 31,0 | 18-25 | 40 |
| MPG-36EMC | PG-36 | 11,0 | 47,0 | 37,0 | 25-33 | 50 |
| MPG-42EMC | PG-42 | 13,0 | 54,0 | 37,0 | 32-38 | 57 |
| MPG-48EMC | PG-48 | 14,0 | 59,3 | 38,0 | 37-44 | 64 |

CE RoHS IP68
Compliant